



**ADENPAL LLC**  
 info@apledworld.com  
 www.apledworld.com  
 +1 713-471-6021

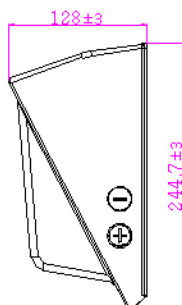
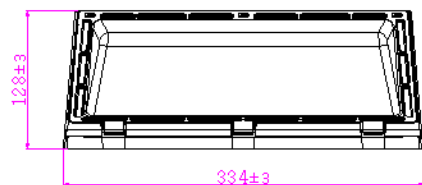
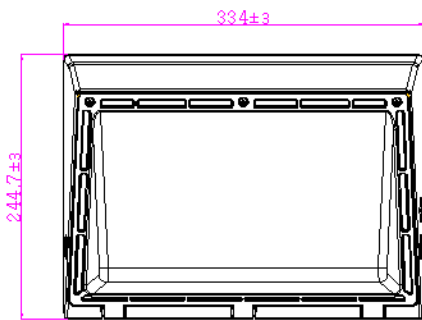
**P/N:AST-SWP08M-60HBSPSA1-abd**

Note:

AST=Company Name;  
 SWP08=Product series,LED Semi-cut off Wall Pack;  
 M=Product size,M=medium;  
 60=Rating Power;  
 H=dirver manufacturer,H=HBE;  
 B=LED manufacturer,B=lumileds;  
 SP=Cover type,SP=stripe PC;  
 S=LED module type, S=single CCT;  
 A=Input voltage, 120-277VAC;  
 1=Version number;  
 "a" can be any two letters to represent lamp colors;  
 "b" can be "S" or blank for Surge-Protective Device provided or not;  
 "d" can be any digits for CCT;



**DIMENSIONS**



**ADVANTAGE**

- UL, cUL, DLC5.1 premium certificate
- Lumileds 2835, high CRI.
- Input voltage 120-277VAC .
- Output constant current lever can be adjusted through output cable with 0-10V.
- No UV or IR in the beam.
- Easy to install and operate.
- Energy saving, long lifespan.
- Light is soft and uniform, safe to eyes.
- Instant start, NO flickering, NO humming.
- Green and eco-friendly without mercury.

**APPLICATION**

- Entrance lighting,courtyard lighting;
- Industrial lighting,Outdoor landscape lighting;
- Building,The hotel;
- Wall lighting area and so on.

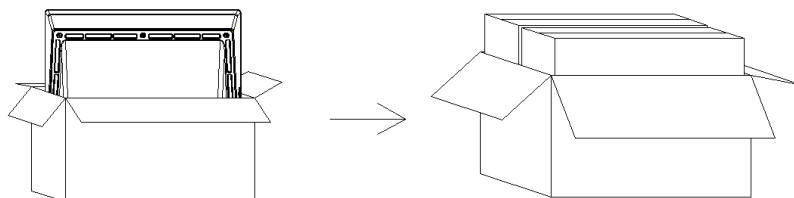
## SPECIFICATIONS

<b>OPTICAL</b>	Input Power (Tolerance : ±10%)	60W				
	Color Temperature	4000K	4500K	5000K	5700K	6500K
	Lumen (Tolerance : -10%)	8052LM	8072LM	8092LM	8113LM	8253LM
	Efficacy (Tolerance : ±5%)	138LM/W	138LM/W	138LM/W	139LM/W	140LM/W
	CRI	>80				
	Color Consistency	<6 Steps (or <6 SDCM)				
	BUG	B2-U3-G4				
	Diffuser Type	PC				
	Beam Angle (50%) (Tolerance : ±15%)	H92*V101 Degree				
<b>ELECTRICAL</b>	Input Voltage and Frequency	120-277VAC 50/60Hz				
	PF (Tolerance : -3%)	≥0.9				
	THD (Tolerance : +5%)	≤20%				
	Flicker Percent	<50%				
	Driver Brand	HBE				
	Driver Model	HB-LPG060G-52				
	Driver Surge protection	L-N: 4kV , L&N-E: 4kV				
	Dimming	0-10V dimming standard				
	Sensor Type	No Sensor				
	Optional Accessory	Surge-protective Device, Photocell				
<b>MATERIALS</b>	LED Brand	LUMILEDS				
	LED Type	SMD 2835				
	LED QTY	176 PCS				
	Housing	Die-cast aluminum				
	Housing Color	All Color				
	Waterproof Rating	WET (IP65)				
<b>OTHERS</b>	Operating Temperature	-40°C TO 45°C				
	Storage Temperature	-40°C TO 80°C				
	Operating Humidity	20% - 90% RH				
	Storage Humidity	10% - 95% RH				
	Warranty	5 years warranty with 24/7 operating hours Luminaire lifetime at 25°C.				

## PACKAGE

	Size	Qty / Carton	Net Weight / Carton	Gross Weight / Carton
Inner box	257*140*350MM	1 PCS	2.1KG	2.4KG
Outer box	300*277*374MM	2 PCS	4.2KG	5.6KG

Tolerance of Carton Size: ±15 MM, Tolerance of Weight: ±10%.



**LIGHT DISTRIBUTION TESTING PARAMETERS**

**Luminaire Property**

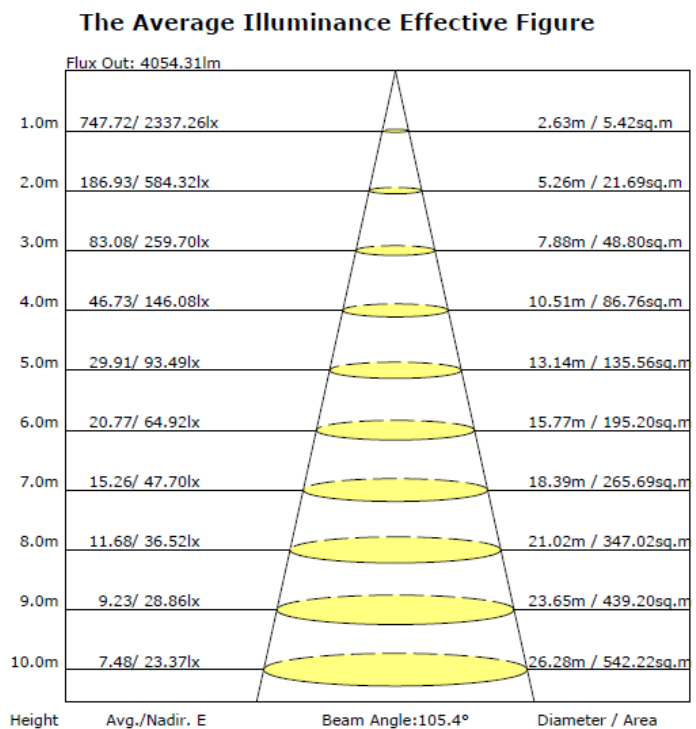
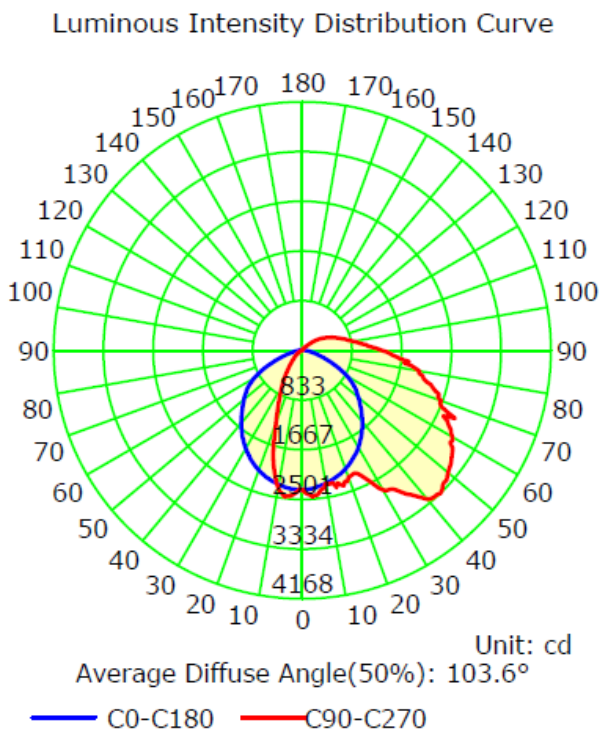
Luminaire Manufacturer:  
 Luminaire Category:  
 Lamp Catalog:  
 Number of Lamps:  
 Luminous Length (mm):  
 Luminous Height (mm):  
 Current: 0.491 A  
 Power Factor: 0.987

Luminaire Description:  
 Lamp Description:  
 Lumens per Lamp:  
 Luminous Width (mm):  
 Voltage: 120.0 V  
 Power: 58.12 W

**Photometric Results**

IES Classification: Type IV  
 Total Rated Lamp Lumens: 8052.0 lm  
 Efficiency: 100%  
 Upward Ratio: 11%  
 C0r0 Intensity: 2337.26 cd  
 Pos of Max. Intensity: H90 V44  
 Beam Angle(C0/C180,C90/C270,C45/C225,C135/315): 105.4, 101.7, 108.1, 109.5

Longitudinal Classification: Very Short  
 Measurement Flux: 8052 lm  
 Downward Ratio: 89%  
 Luminaire Efficacy Rating (LER): 138.59  
 Max. Intensity: 3334.88 cd



**NOTICE FOR USER**

- Please turn off power before install or change assembly parts.
- The input voltage and lamps should be matched, after connecting the power line, Please make sure the wiring section is insulated.
- No-professionals, must not install and disassemble the lamps.

## **TROUBLE SHOOTINGS**

<b>Troubles</b>	<b>Check points</b>
Flickering of the light	Turn off the power and turn on again in 3 minutes. If same phenomena occur, then call agencies.
Out of working	Please check the connection.

## **SPECIAL FUNCTIONS INSTRUCTION:**