



ADENPAL LLC  
info@apledworld.com  
www.apledworld.com  
+1 713-471-6021

**P/N:AST-SWP08M-120WBSPSA1-abd**

Note:

AST=Company Name;

SWP08=Product series,LED Semi-cut off Wall Pack;

M=Product size,M=medium;

120=Rating Power;

W=dirver manufacturer,W=Weledpower;

B=LED manufacturer,B=lumileds;

SP=Cover type,SP=stripe PC;

S=LED module type, S=single CCT;

A=Input voltage, 120-277VAC;

1=Version number;

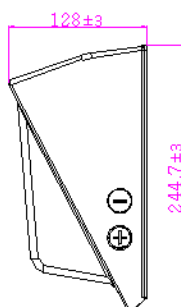
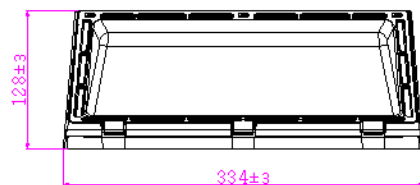
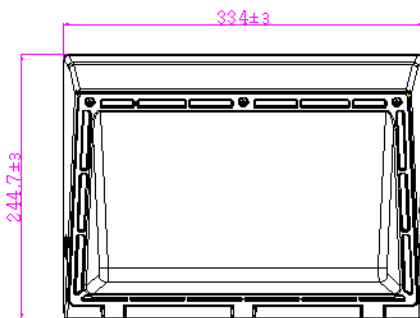
“a” can be any two letters to represent lamp colors;

“b” can be “S” or blank for Surge-Protective Device provided or not;

“d” can be any digits for CCT;



**DIMENSIONS**



**ADVANTAGE**

- UL, cUL, DLC5.1 premium certificate
- Lumileds 2835, high CRI.
- Input voltage 120-277VAC .
- Output constant current lever can be adjusted through output cable with 0-10V.
- No UV or IR in the beam.
- Easy to install and operate.
- Energy saving, long lifespan.
- Light is soft and uniform, safe to eyes.
- Instant start, NO flickering, NO humming.
- Green and eco-friendly without mercury.

**APPLICATION**

- Entrance lighting,courtyard lighting;
- Industrial lighting,Outdoor landscape lighting;
- Building,The hotel;
- Wall lighting area and so on.

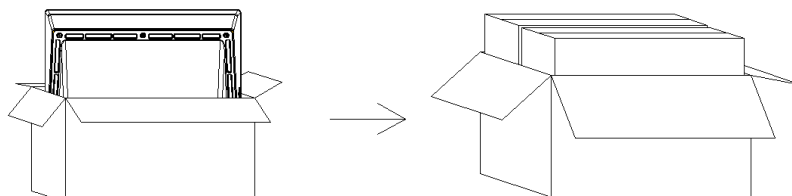
## SPECIFICATIONS

<b>OPTICAL</b>	Input Power (Tolerance : ±10%)	120W				
	Color Temperature	4000K	4500K	5000K	5700K	6500K
	Lumen (Tolerance : -10%)	15698LM	15731LM	15764LM	15798LM	15864LM
	Efficacy (Tolerance : ±5%)	135LM/W	135LM/W	136LM/W	136LM/W	136LM/W
	CRI	>80				
	Color Consistency	<6 Steps (or <6 SDCM)				
	BUG	B3-U5-G5				
	Diffuser Type	PC				
	Beam Angle (50%) (Tolerance : ±15%)	H92*V102 Degree				
<b>ELECTRICAL</b>	Input Voltage and Frequency	120-277VAC 50/60Hz				
	PF (Tolerance : -3%)	≥0.9				
	THD (Tolerance : +5%)	≤20%				
	Flicker Percent	<30%				
	Driver Brand	Weledpower				
	Driver Model	WP-CNB-120U-1A2SCPO-Z-PRO				
	Driver Surge protection	L-N: 4kV , L&N-E: 6kV				
	Dimming	0-10V dimming standard				
	Sensor Type	No Sensor				
	Optional Accessory	Surge-protective Device, Photocell				
<b>MATERIALS</b>	LED Brand	LUMILEDS				
	LED Type	SMD 2835				
	LED QTY	336 PCS				
	Housing	Die-cast aluminum				
	Housing Color	All Color				
	Waterproof Rating	WET (IP65)				
<b>OTHERS</b>	Operating Temperature	-40°C TO 45°C				
	Storage Temperature	-40°C TO 80°C				
	Operating Humidity	20% - 90% RH				
	Storage Humidity	10% - 95% RH				
	Warranty	5 years warranty with 24/7 operating hours Luminaire lifetime at 25°C.				

## PACKAGE

	Size	Qty / Carton	Net Weight / Carton	Gross Weight / Carton
Inner box	257*140*350MM	1 PCS	2.3KG	2.6KG
Outer box	300*277*374MM	2 PCS	4.6KG	6KG

Tolerance of Carton Size: ±15 MM, Tolerance of Weight: ±10%.



## LIGHT DISTRIBUTION TESTING PARAMETERS

### Luminaire Property

Luminaire Manufacturer:  
 Luminaire Category:  
 Lamp Catalog:  
 Number of Lamps:  
 Luminous Length (mm):  
 Luminous Height (mm):  
 Current: 0.965 A  
 Power Factor: 0.998

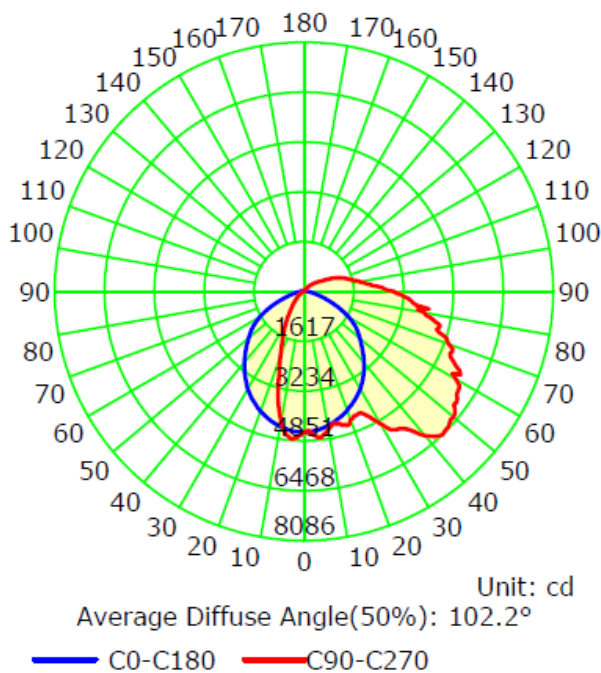
Luminaire Description:  
 Lamp Description:  
 Lumens per Lamp:  
 Luminous Width (mm):  
 Voltage: 120.0 V  
 Power: 115.57 W

### Photometric Results

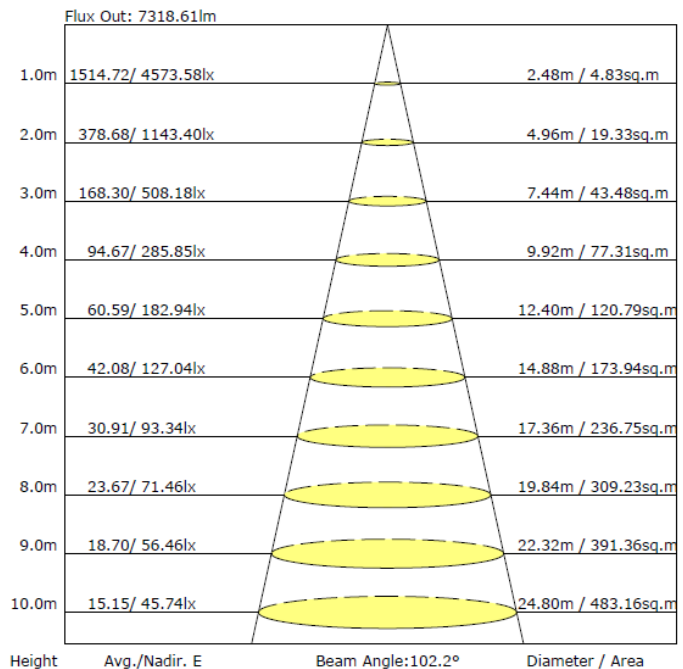
IES Classification: Type IV  
 Total Rated Lamp Lumens: 15698.6 lm  
 Efficiency: 100%  
 Upward Ratio: 11%  
 C0r0 Intensity: 4573.58 cd  
 Pos of Max. Intensity: H90 V44  
 Beam Angle(C0/C180,C90/C270,C45/C225,C135/315): 102.2, 102.2, 108.0, 108.4

Longitudinal Classification: Very Short  
 Measurement Flux: 15698.6 lm  
 Downward Ratio: 89%  
 Luminaire Efficacy Rating (LER): 135.89  
 Max. Intensity: 6468.87 cd

Luminous Intensity Distribution Curve



The Average Illuminance Effective Figure



### NOTICE FOR USER

- Please turn off power before install or change assembly parts.
- The input voltage and lamps should be matched, after connecting the power line, Please make sure the wiring section is insulated.
- No-professionals, must not install and disassemble the lamps.

## **TROUBLE SHOOTINGS**

<b>Troubles</b>	<b>Check points</b>
Flickering of the light	Turn off the power and turn on again in 3 minutes. If same phenomena occur, then call agencies.
Out of working	Please check the connection.

## **SPECIAL FUNCTIONS INSTRUCTION:**