

DESCRIPTION

Use these LED dual head emergency lights with durable thermoplastic housing to provide up to 90 minutes of light during an emergency or power outage.

FEATURES

- Two adjustable round LED lamp heads; can be rotated 360° clockwise or counterclockwise, and 120° left or right
- Emergency operation for up to 90 minutes; recharges in 24 hours
- Built in 3.6V Ni-MH battery
- Has manual test switch and charge indicator
- Universal J-box mounting pattern for easy installation and is suitable for wall mounting

LISTINGS

- UL rated for damp locations
- UL 94V-0 flame rating
- RoHS

PERFORMANCE

- Lamp Head Wattage: 1.2W
- Emergency Operation: 90 minutes
- Charging Time: 24 Hours

THERMAL

- 32°F to 104°F (-0°C to 40°C) operating temperature

ELECTRICAL

- Input Voltage: 120V-277V
- Input Current: 0.025-0.016A
- Input Wattage: 2W

BATTERY

- Type: Ni-MH
- Voltage: 3.6V
- Milliamp Hours: 1000 mAh

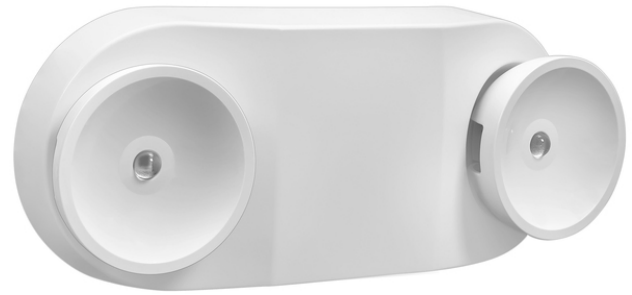
INSTALLATION

- Designed for wall mounting (hardware included); see Installation Instruction PDF for more information

CONSTRUCTION

- Injection-molded thermoplastic ABS housing with white finish

project name	type
catalog number	
comments	voltage
approved by	date



WARRANTY

- 5 year limited warranty for the electrical parts and housing; 3 year warranty for battery; see pltsolutions.com for warranty details

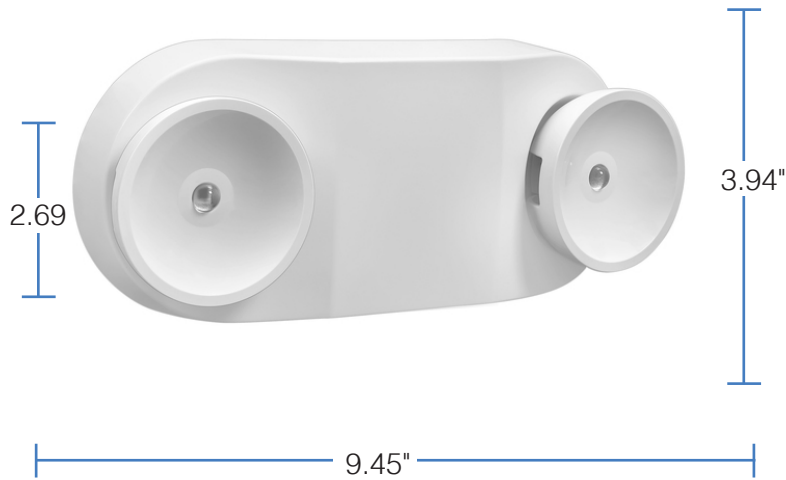
APPLICATIONS

- Hallways
- Stairwells
- Lobbies

PERFORMANCE SUMMARY

Item #	Input Wattage	Input Current	Voltage	Lamp Head Watts	Lumens	Battery Type	Emergency Operation	Recharge Time	Testing
PLT-50311	2W	0.025-0.016A	120V/277V	1.2W (each)	250	Ni-MH	90 Minutes	24 Hours	Manual

DIMENSIONS



DIMENSIONS

Height – 3.94"

Width – 9.45"

Depth – 2.02"

Lamp Head Diameter – 2.69"

Weight – 1.2 lbs

WARNINGS

- Not for use outdoors.