

Southern Manufacturing's

# CLEAN PROFILE

Illuminated Street Name Signs | Regulatory & Warning Signs

Since its introduction in 2010, the Clean Profile sign has become our most popular style. The versatility makes it ideal for regulatory signs as well as street name signs.



## FEATURES

- Thin parallel construction.
- Single and double faced.
- Rated at 150 mph.
- FDOT approved.
- Energy Efficient Low Wattage 60,000 hour Rebel™ LEDs.
- Radiant high temperature fail-safe circuit for LEDs to prevent premature burn out.
- Internal class 2 IP66 24v DC power supply with separate fuse.
- External junction box with power terminal strip and cord grip for easy installation.
- Robust .125" 5052 aluminum housing.
- Viewable area can be customized in heights ranging from 12" to 27" and lengths of 4' to 10'.
- Mounting options – tri-stud is standard, rigid mounting and other mounting methods available.
- No tools required to open sign or replace lens.
- 7 year limited warranty.



## STYLES



Standard Type CP



Provincial Type CQ



Metropolitan Type CR



Victorian Type CS



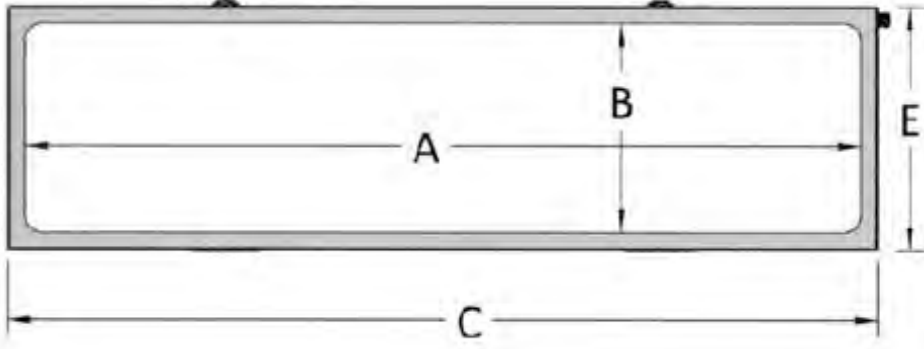
Square Type CT

These signs are housed in a traffic style continuously welded aluminum housing with strong polycarbonate sign faces. This construction is rated to withstand 150 MPH winds. The LEDs are rated to maintain 70% of the initial brightness for 60,000 hours or 13.7 years at 12 hours per day and are extremely energy efficient. A double sided sign with a viewable area of 6' x 21" consumes only 26 watts of electricity or just under 114kWh per year which translates to less than \$8 annually assuming 7 cents per kWh. Consequently, these signs may qualify for federal energy saving funding if used to replace older fluorescent signs.



2000 E. Lake Mary Blvd  
Sanford, FL 32773  
Phone: 407.831.1588  
www.southernmfg.com

# DIMENSIONS



- A Viewable lengths available in 1/2 foot increments from 4' to 10'
- B Standard heights available in 3 inch increments from 15" to 30"
- C Overall length is A + 3"
- D Depth is 3.95" for a single sided sign and 5.4" for a double sided sign
- E Overall height is B + 3", excluding brackets.

## CUSTOMIZATION OPTIONS

- Single & Multi-Color Logos
- Frame Color
- Frame Styles
- Retroreflective Background
- Photocells

## ENERGY

CONSUMPTION IN WATTS

SIGN HEIGHT	SIGN LENGTH			
	4'	6'	8'	10'
≤ 24" Viewable SS (21" DS)	19 W	26 W	32 W	39 W
≥ 25" Viewable SS (22" DS)	32 W	46 W	59 W	72 W

## WEIGHT

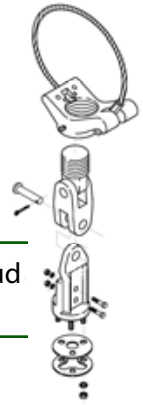
SIGN SIZE	4' x 19"	6' x 19"	8' x 19"	4' x 24"	6' x 24"	8' x 24"
WEIGHT IN POUNDS	39	54	69	44	61	78
Weight for double sided signs, excluding brackets. Single sided signs weight approximately 10% less.						

For more information visit our website at [www.southernmfg.com](http://www.southernmfg.com) or send us an email to [contactus@southernmfg.com](mailto:contactus@southernmfg.com). You can also contact us by calling us toll free at 800-866-5699. We have a nationwide network of distributors who can meet with you and show a sample of the clean profile sign.

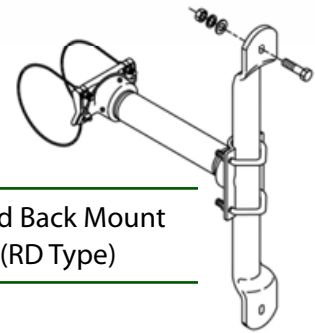
## SIGN HANGING HARDWARE



Top Mount - EZ Bar  
(TJ Type)



Top Mount - Tri-Stud  
(TA Type)



Rigid Back Mount  
(RD Type)



2000 E. Lake Mary Blvd  
Sanford, FL 32773  
Phone: 407.831.1588  
[www.southernmfg.com](http://www.southernmfg.com)