

Thermal Fever Detection System

Overview

Provide a safer environment for your customers, tenants and employees while acting as an ambassador in the overall fight against the spread of the COVID-19 virus.

How It Works

Thermalpass is a non-imposing system that identifies potential at-risk COVID-19 carriers. It detects body temperature using its touchless, infrared, thermal medical grade sensors. Designed for both safety and efficiency, ThermalPass keeps people moving with a scan rate of 20 scans per second, eliminating the need to wait or slow down before passing through. Its sleek and modern engineering is designed for minimal disruption while taking accurate thermal readings.

Functions

- Non-contact temperature measurement accurate to within 0.2 °C (0.36°F)
- Configurable alert level
- Audible and visual indication for target above threshold
- Count of clear targets and potential threats
- Cellular communication of anonymous data for near real-time tracking and analysis

Features

- Medical grade, infrared sensors
- Multiple sensors to cope with a wide range of heights
- Wide access to allow easy passage of strollers and wheelchairs
- No requirement to pause allows free passage with no delays
- High measurement rate to minimize risk of detection failure
- Rechargeable battery pack to allow operation where no power available
- USB data port for connection of monitoring and configuration software
- Heavy duty base construction for permanent locations.
- Statistical data tracking (traffic count, time-of-day, alerts, average temperatures)
- Remote viewing of near real-time-data with Mobile 1st APP
- Real-time remote viewing available with optional *Enterprise Integration Package*



Portable Model: \$6,900 USD

ThermalPass Portable is built for easy assembly and mobility



Pro Model: \$7,300 USD

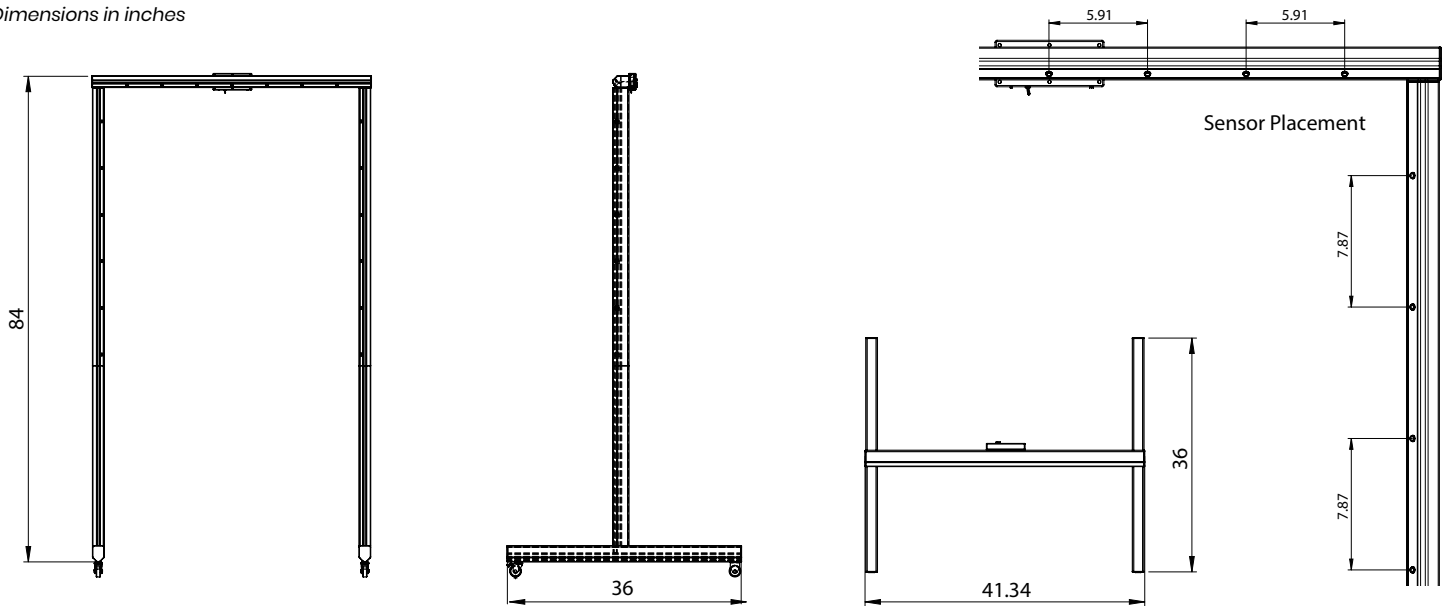
ThermalPass Pro is built for greater strength and stability in high traffic areas

Specifications

Temperature Sensors	Type	Medical grade Dual zone infrared thermopile
	Wavelength	5.5-14µm
	Accuracy	±0.2°C in range 36°C to 38°C (0.36°F/96.8°F to 100.4°F)
	Resolution	0.01°C (0.018°F)
	Read rate	20 times per second
Target Count Detection	Type	Infrared beam
	Wavelength	940nm
	Detection Interval	0.5 seconds
Power	Fixed	AC/DC, 1 output, 12W, 12V, 1A, 6-foot chord
	Batteries	2 Li-ion Polymer 18650, 3500mAh, cells
	Battery Protection	Protected from short circuit, overcharge and overheating
	Charger Supply	12v dc, 1 amp, from mains adaptor
	Charging Time	12 hours
	Run time	>50 hours from fully charged batteries
Communication	Monitor and Configuration	USB slave device – Requires FTDI virtual port drivers on host machine Windows based software supplied
	Cellular	LTE Cat M1/ Cat NB1/ EGPRS modem suitable for most countries worldwide
	SIM	Embedded SIM chip with worldwide roaming
Mechanical	Height	2.135m (84")
	Width	1.050m (41.34")
	Depth	0.915m (36")
	Weight	11.34Kg (25lbs)
	Material	Black anodised Aluminum, 50x60mm (1.97" x 2.36")
Environmental	Storage	-40°C to +85°C (-40°F - 185°F), 0 to 95% Rh
	Operation	-20°C to +65°C (-4°F - 149°F), 0 to 95% Rh
	Protection	Weather proof
Warranty	Mechanicals	3 years
	Electronics	3 years
	Batteries	1 year

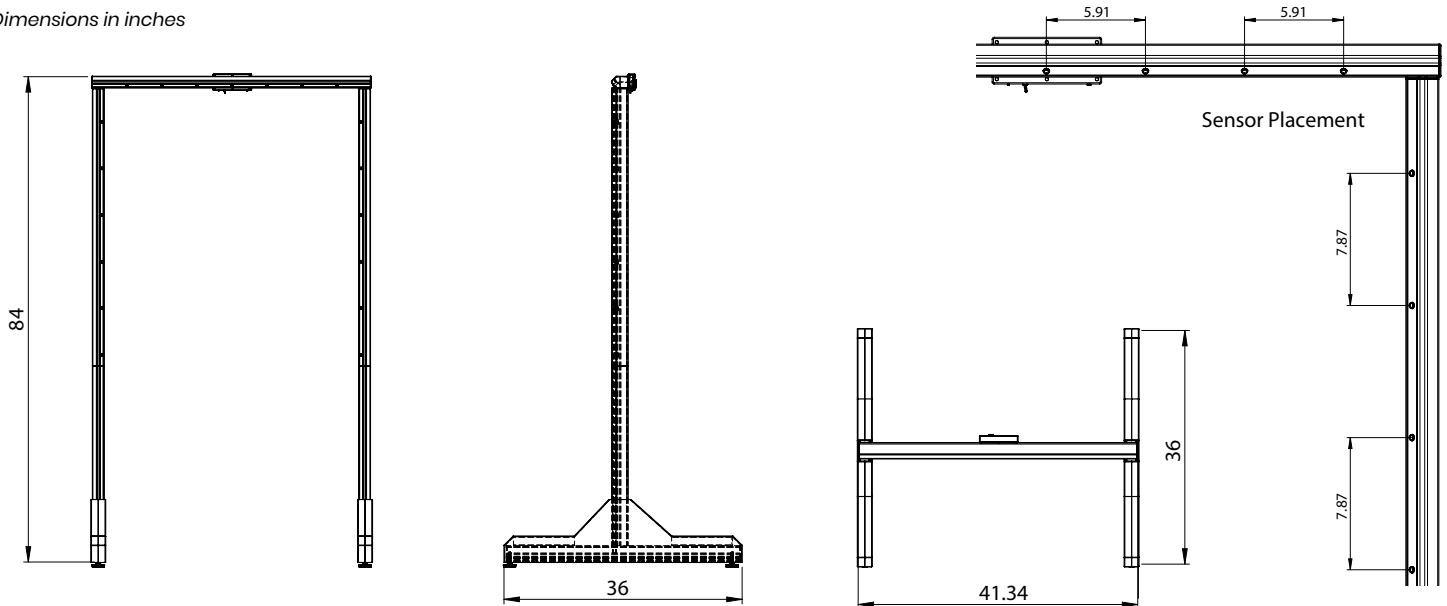
Dimensions - Portable Model

*Dimensions in inches



Dimensions - Pro Model

*Dimensions in inches



For more information & to place an order:

Toll Free: 1.866.314.PASS (7277)

Email: info@thermalpass.com

Web: ThermalPass.com