

## Medical Grade Temperature Detection System

### Overview

Provide a safer environment for your customers, tenants and employees while acting as an ambassador in the overall fight against the spread of the COVID-19 virus.

### How It Works

Fever is the most common symptom experienced by individuals who have contracted the COVID-19 virus.

The ThermalPass Temperature Detection System identifies potential at risk fever carriers by detecting elevated body temperature. ThermalPass employs multiple medical-grade temperature sensors for greater accuracy and reliability – No Cameras are used, ensuring privacy and anonymity. With a touchless scan rate of up to 60 people per minute, ThermalPass keeps people moving, avoiding long lines and wait times.

### Features

#### Multiple Temperature Sensors

- 24 medical-grade thermal sensors
- Non-contact temperature measurement
- Accuracy of  $\pm 0.4^{\circ}\text{C}$
- Scan rate of 1,200 scans per second
- Dual zone temperature system

#### Fast and Efficient Engineering

- Capacity of up to 60 people per minute
- Accurately detects temperature for people of all heights
- Configurable audible and visual alerts
- Accommodates wheelchairs, strollers and groups of 2 (parent & child)

#### Modern Design & Solid Construction

- Unimposing to discretely blend in to its environment
- Protected sensors to avoid damage
- Weather resistant
- Easy to assemble and disassemble
- Includes a Lithium Ion rechargeable battery pack for 40-45 hours of portable operation
- Made in Canada
- 3-year warranty
- Integrates with a multitude of enterprise solutions



**Portable Model: \$8,400 USD**

*The ThermalPass 100 Series is built for easy assembly and mobility*



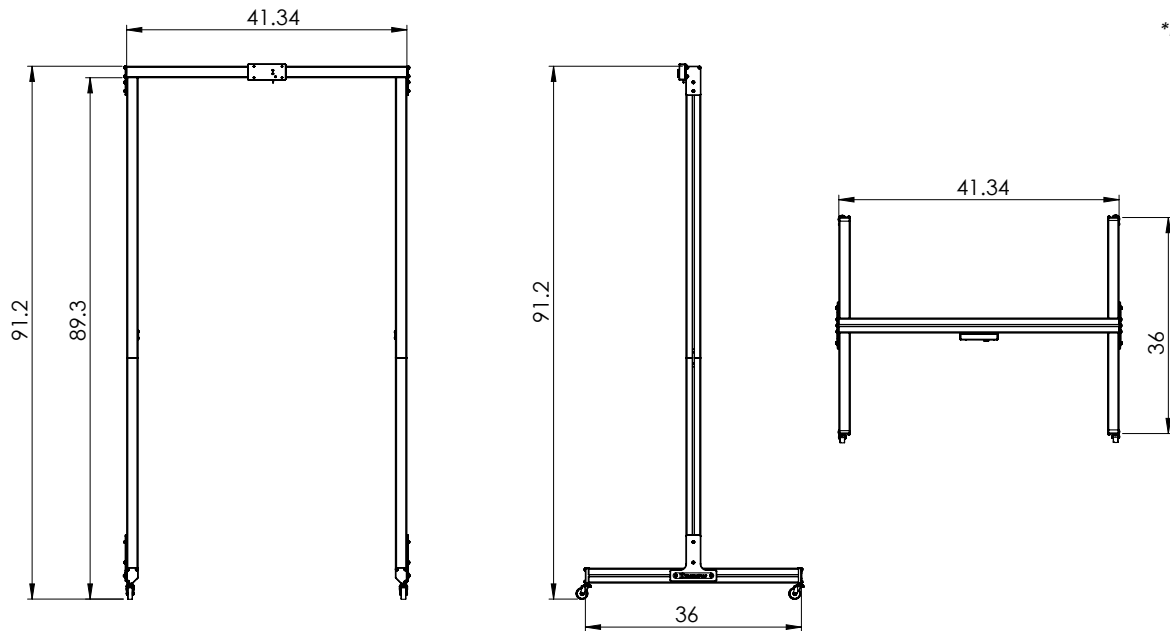
**Pro Model: \$8,900 USD**

*The ThermalPass 200 Series is built for greater strength and stability in high traffic areas*

## Specifications

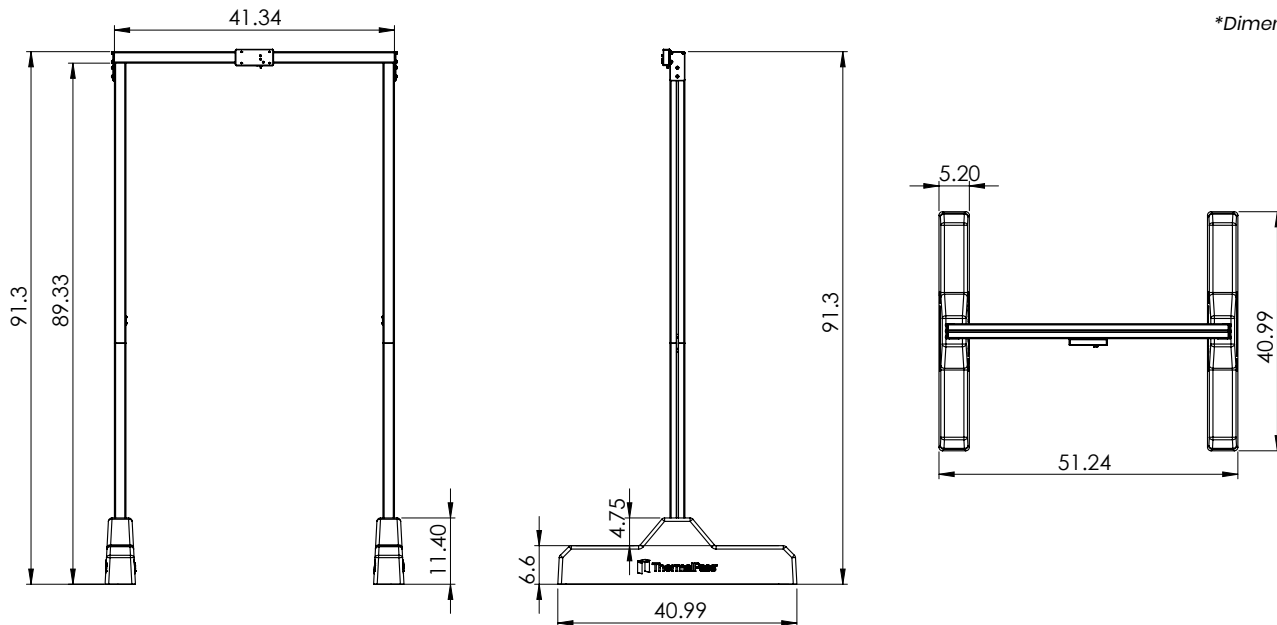
<b>Temperature Sensors</b>	Type	Medical grade Dual zone thermopile
	Resolution	0.01°C (0.018°F)
	Accuracy	±0.4°C in range 35C to 39°C (0.36°F/96.8°F to 100.4°F)
	Read rate	20 times per second / per sensor
<b>Target Count Detection</b>	Wavelength	940nm
	Detection Interval	0.5 seconds (adjustable)
<b>Power</b>	Fixed	AC/DC, 1 output, 12W, 12V, 1A, 6-foot chord
	Batteries	2 Li-ion Polymer 18650, 3500mAh, cells
	Battery Protection	High current cutoff. Protected from mishandling, overcharge, and overdischarge
	Charger Supply	12v dc, 1 amp, from mains adaptor
	Charging Time	12 hours
	Run time	>45 hours from fully charged batteries
<b>Communication</b>	Monitor & Configuration	USB slave device – Requires FTDI virtual port drivers on host machine. Windows based software supplied.
	Cellular	LTE Cat M1/ Cat NB1/ EGPRS modem suitable for most countries worldwide.
	LTE Information	Global LTE Sim Card with coverage of over 550 carriers in 200 + countries. 3 years of LTE service included.
	SIM	Embedded SIM chip with worldwide roaming.
<b>Mechanical</b>	Height	2.135m (84")
	Width	1.050m (41.34")
	Depth	0.915m (36")
	Clearance Width	97 cm (38.189 inches)
	Weight	11.34Kg (25lbs)
	Material	Black anodised Aluminum, 50x60mm (1.97" x 2.36")
	Model #	P0120N
<b>Software</b>	Standard Parts	1 ThermalPass unit housing 24 thermal medical grade IR sensors, with a controller board.
	Dashboard setup	PC Windows 10 software which runs real-time through a USB connection or web-browser software that reads real-time alerts. Non-alerts are displayed in 10 minutes intervals. A login/password will be provided.
<b>Environmental</b>	Storage	-40°C to +85°C (-40°F - 185°F), 0 to 95% Rh
	Operation	-20°C to +65°C (-4°F - 149°F), 0 to 95% Rh
	Protection	Weather resistant
<b>Warranty</b>	One ThermalPass Unit	3 years
	Batteries	1 year
	Technical Support	1-866-314-7277 (PASS)

## Dimensions - Portable Model



*\*Dimensions in inches*

## Dimensions - Pro Model



*\*Dimensions in inches*

**For more information & to place an order:**

Toll Free: 1.866.314.PASS (7277)

Email: [info@thermalpass.com](mailto:info@thermalpass.com)

Web: [ThermalPass.com](http://ThermalPass.com)