

Temperature Detection System

Overview

ThermalPass helps businesses operate a safer environment for their employees, customers and tenants by identifying individuals with an elevated temperature for further vetting.

How It Works

The ThermalPass Temperature Detection System identifies potential at risk individuals by detecting elevated body temperature. ThermalPass employs multiple infrared temperature sensors for greater accuracy and reliability – No Cameras are used, ensuring privacy and anonymity. With a touchless scan rate of up to 60 people per minute, ThermalPass keeps people moving, avoiding long lines and wait times.

Features

Multiple Temperature Sensors

- 24 infrared thermal sensors
- Non-contact temperature measurement
- Accuracy of $\pm 0.4^{\circ}\text{C}$
- Scan rate of 1,200 scans per second
- Dual zone temperature system

Fast and Efficient Engineering

- Capacity of up to 60 people per minute
- Accurately detects temperature for people of all heights
- Configurable audible and visual alerts
- Accommodates wheelchairs, strollers and groups of 2 (parent & child)

Modern Design & Solid Construction

- Unimposing to discretely blend in to its environment
- Protected sensors to avoid damage
- Weather resistant
- Easy to assemble and disassemble
- Includes a Lithium Ion rechargeable battery pack for 40-45 hours of portable operation
- Made in Canada
- 1-year warranty
- Integrates with a multitude of enterprise solutions



Portable Model

The ThermalPass 100 Series is built for easy assembly and mobility



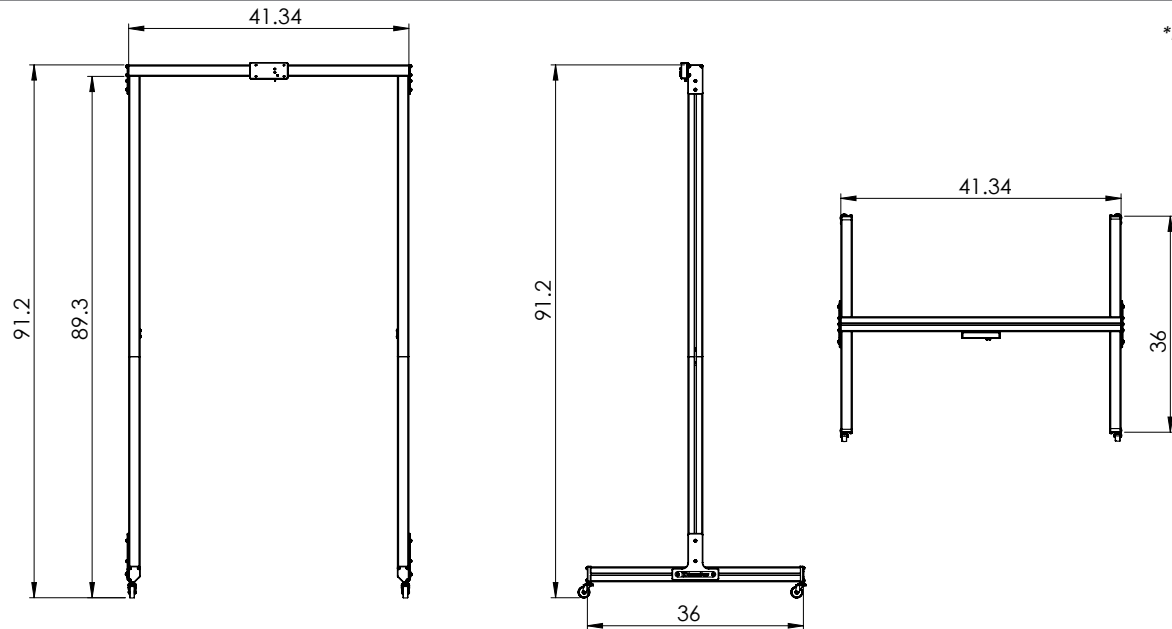
Pro Model

The ThermalPass 200 Series is built for greater strength and stability in high traffic areas

Specifications

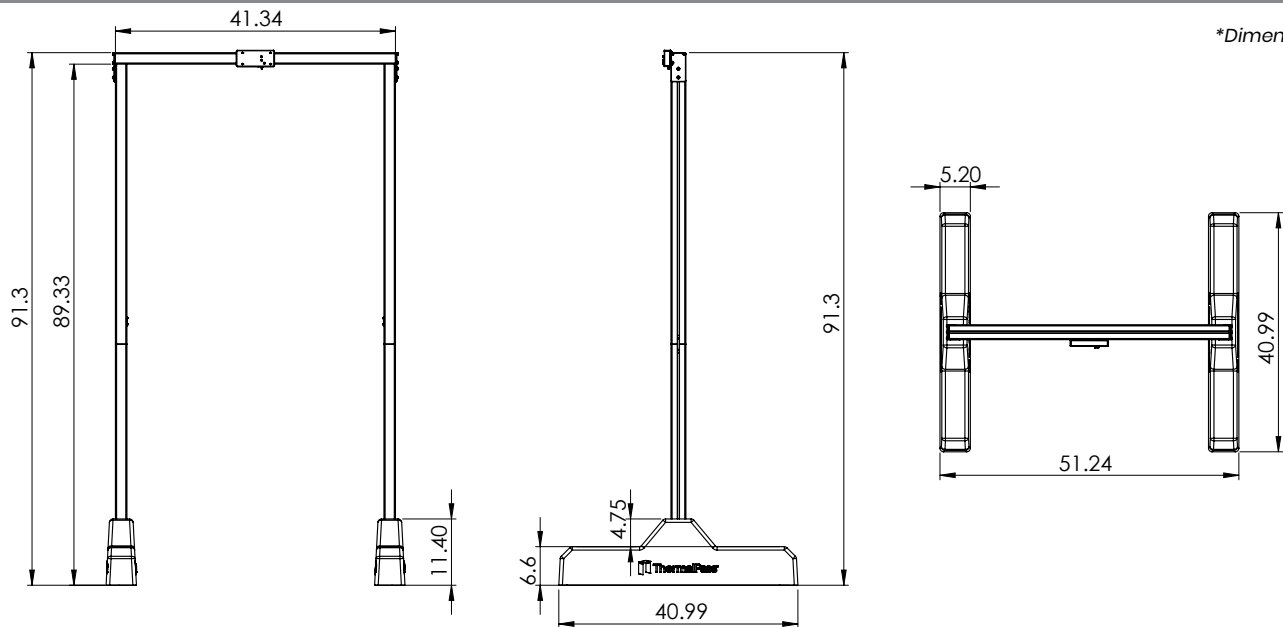
Temperature Sensors	Type	Dual zone thermopile
	Resolution	0.01°C (0.018°F)
	Accuracy	±0.4°C in range 35C to 39°C (0.36°F/96.8°F to 100.4°F)
	Read rate	20 times per second / per sensor
Target Count Detection	Wavelength	940nm
	Detection Interval	0.5 seconds (adjustable)
Power	Fixed	AC/DC, 1 output, 12W, 12V, 1A, 6-foot chord
	Batteries	2 Li-ion Polymer 18650, 3500mAh, cells
	Battery Protection	High current cutoff. Protected from mishandling, overcharge, and overdischarge
	Charger Supply	12v dc, 1 amp, from mains adaptor
	Charging Time	12 hours
	Run time	>45 hours from fully charged batteries
Communication	Monitor & Configuration	USB slave device – Requires FTDI virtual port drivers on host machine. Windows based software supplied.
	Cellular	LTE Cat M1/ Cat NB1/ EGPRS modem suitable for most countries worldwide.
	LTE Information	Global LTE Sim Card with coverage of over 550 carriers in 200 + countries. 3 years of LTE service included.
	SIM	Embedded SIM chip with worldwide roaming.
Mechanical	Height	2.135m (84")
	Width	1.050m (41.34")
	Depth	0.915m (36")
	Clearance Width	97 cm (38.189 inches)
	Weight	11.34Kg (25lbs)
	Material	Black anodised Aluminum, 50x60mm (1.97" x 2.36")
	Model #	P0120N
	Standard Parts	1 ThermalPass unit housing 24 IR sensors, with a controller board.
Software	Dashboard setup	PC Windows 10 software which runs real-time through a USB connection or web-browser software that reads real-time alerts. Non-alerts are displayed in 10 minutes intervals. A login/password will be provided.
Environmental	Storage	-40°C to +85°C (-40°F - 185°F), 0 to 95% Rh
	Operation	-20°C to +65°C (-4°F - 149°F), 0 to 95% Rh
	Protection	Weather resistant
Warranty	One ThermalPass Unit	1 year
	Batteries	1 year
	Technical Support	1-866-314-7277 (PASS)

Dimensions - Portable Model



**Dimensions in inches*

Dimensions - Pro Model



**Dimensions in inches*

For more information & to place an order:

Toll Free: 1.866.314.PASS (7277)

Email: info@thermalpass.com

Web: ThermalPass.com

ThermalPass is created by **SMRT Labs** inc