

# CVC220 Top & Bottom Labeler

- Lower Operating Costs

- Increase Operating Flexibility

- Unparalleled Service

- Quality that your Customers Demand



The CVC220 Top & Bottom Labeler is built to automatically *pressure sensitive* labels onto two sides of flat and indented containers. The 220 comes standard with a 6" wide belt conveyor and is ideal for contract packagers and manufacturers serving the nutraceutical, food, cosmetic, personal care, and consumer electronic markets.

All CVC labelers include our patented **Self Set™** software which utilizes a high frequency encoder for extremely easy setup and wrinkle free labeling at the touch of a button.

## Labelers

Solid Dose Bottling Lines  
Blister Packaging  
Cartoning

"Leading Global Equipment Supplier"

[www.cvcusa.com](http://www.cvcusa.com)



**CVC Technologies, Inc.**

# CVC220 Technical Specifications

## Standard Features:

- Self Set Auto Adjusting Control System
- Stainless Steel Frame on lockable casters
- Stainless Steel flat bed conveyor, 6" wide endless green belt
- 25-Key Hand Held Terminal with LCD Display
- Label head with up to  $\pm 1/32$ " accuracy
- Label Sensor for Paper or Opaque Labels
- Capacity: up to 150 bottles per minute (BPM)
- ISO 9001:2000 Certified

## Container Specifications:

- Product Height: 1" to 7-1/4" (25mm - 184mm)
- Product Width: 1" to 10" (25mm - 254mm) (dependent on conveyor width)
- Product Length: 1" to 16" (25mm - 406mm)

## Label Specifications:

- Label Width/Height: 5/8" to 6" (16mm - 152mm)  
(dependent on labeling head type)
- Label Length: 5/8" to 10" (16mm - 254mm)
- Label Roll: max 14" (356mm) outside diameter with 3" core
- Label Head Dispense Speed: Maximum 16 Meters/Min.

## Machine Specifications:

- Conveyor Width: Standard 6", available in 10"
- Conveyor Length: Standard 55-1/2"
- Conveyor Bed Height: Standard 36" ( $\pm 2$ ")
- Machine Weight: 175kg

## Air/Electrical Requirements:

- Power: 110V, Single Phase, 5 AMP  
(220V Available on Request)
- Air: 4 cfm (only required when using Lot/Date Printer)

## Available Options:

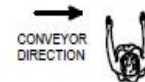
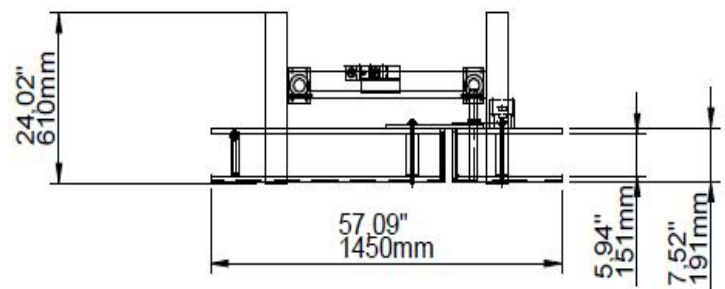
### Printing:

- Hot Stamp (Lot/Date Coding)  
Print Area: 2-3/4"(70mm)W x 2-1/2"(65mm)H  
Type Sizes: 1.5mm, 2.0mm, or 2.5mm  
Chase Size: 6 Lines of 13-22 Characters each
- Integrated Thermal Encoder (Lot/Date, Bar Code and Graphics)

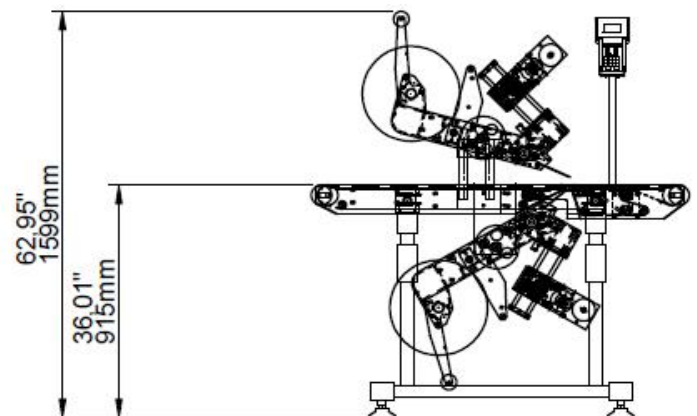
### Assemblies:

- Clear, Metallic or Color Label Sensor
- End to End transfer plates
- Infeed and Outfeed Conveyor Extensions
- Separator wheel for controlled spacing
- Dataflex or similar Lot/Date Code Printer

## Machine Layouts:



Top View



Front View



Quality • Value • Service

Authorized CVC Dealer

Certified Machinery Inc.  
3175 Princeton Pike  
Lawrenceville, NJ 08648  
609-912-0300

[www.certifiedmachinery.com](http://www.certifiedmachinery.com)

Copyright © CVC Technologies, Inc. • Jan. 2012 Edition

*Dimensions shown are for standard machine. Conveyor can be extended or length may vary based on options selected. This labeler can run independently or be integrated into an automated packaging line.*