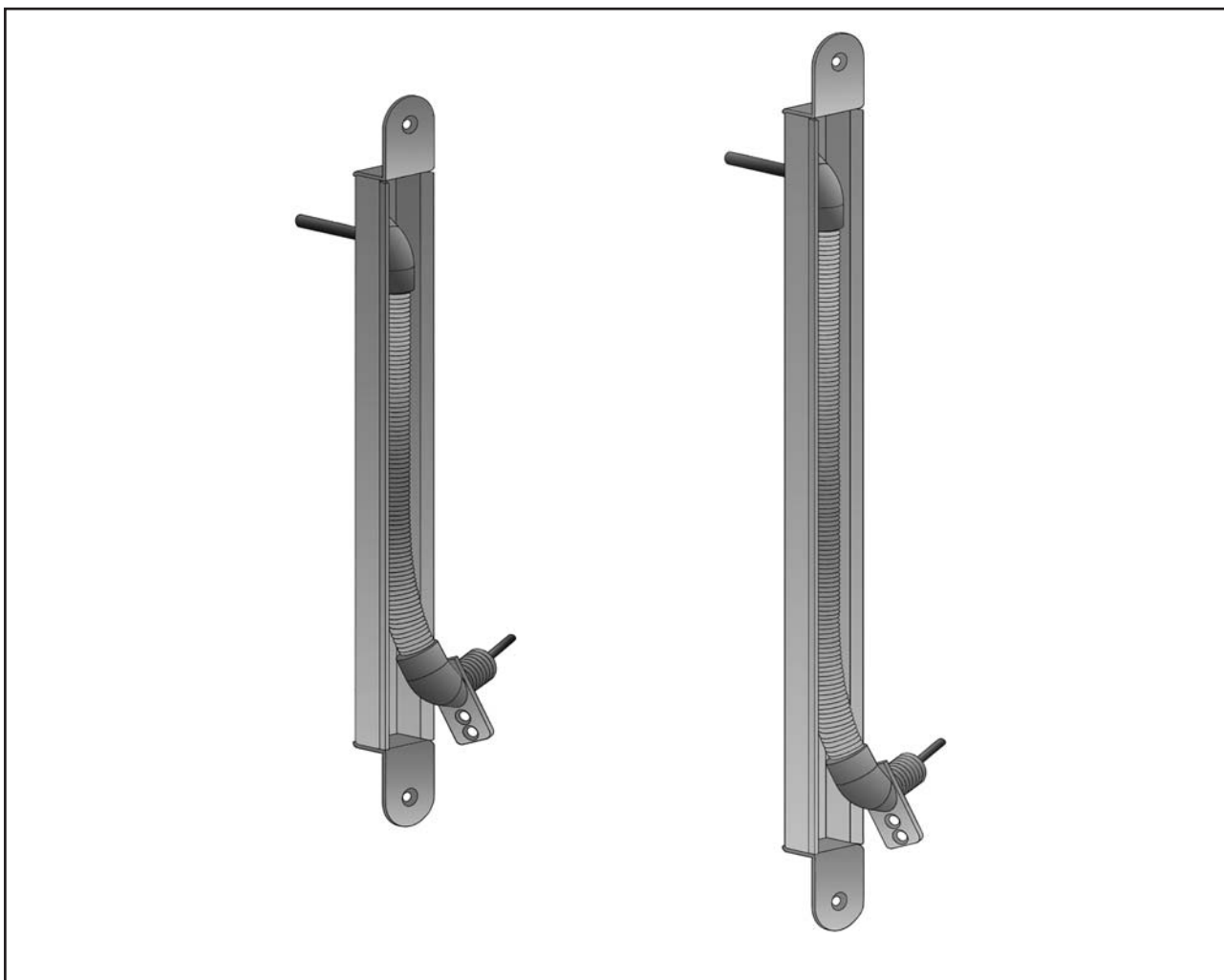


ABLOY® LEAD COVERS EA280/EA281



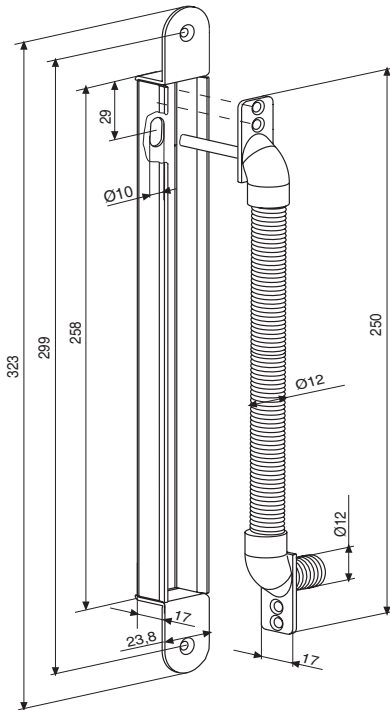
LEAD COVER EA280/EA281

APPLICATIONS

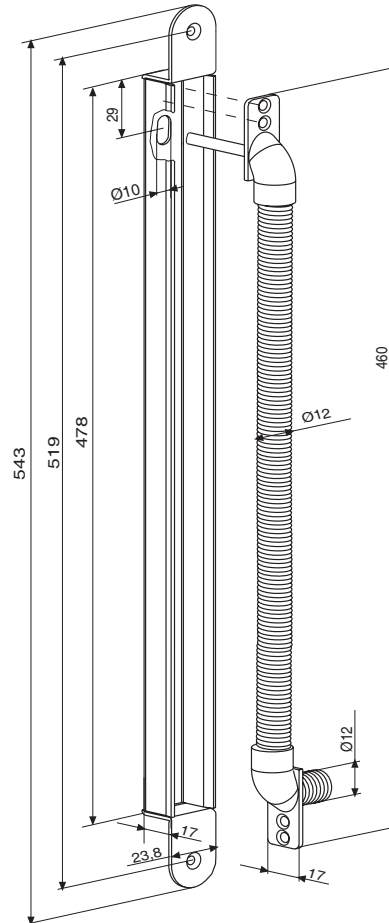
The **ABLOY®** lead cover is designed to ensure the unbroken transfer of cable between door and frame. The maximum diameter of the wire bundle transferable through the lead cover is 7.5 mm. The cable used should consist of several threads for increased bending strength. If the opening angle of door is more than 120° or the distance between pin hinge and door frame is more than 20 mm, lead cover EA281 must be used.

DIMENSIONS

EA280



EA281



DRILLING AND FITTING INSTRUCTIONS

The **ABLOY®** lead cover is fitted in the upper part of the door. Before fitting, cable must be passed through the door. Holes for the cable must be wide enough to allow some space for the wires to move.

CONSTRUCTION

Housing	Steel
Flexible tube	Steel

FINISHES

Bright Chrome



www.abloy.com

Abloy Oy
 Wahlforssinkatu 20
 P.O. Box 108
 FIN-80101 JOENSUU
 FINLAND
 Tel. +358 20 599 2501
 Fax +358 20 599 2509

