

PROJECT:

LOCATION:

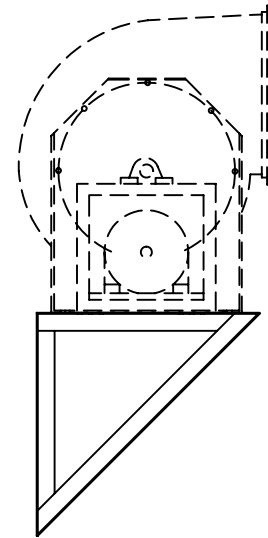
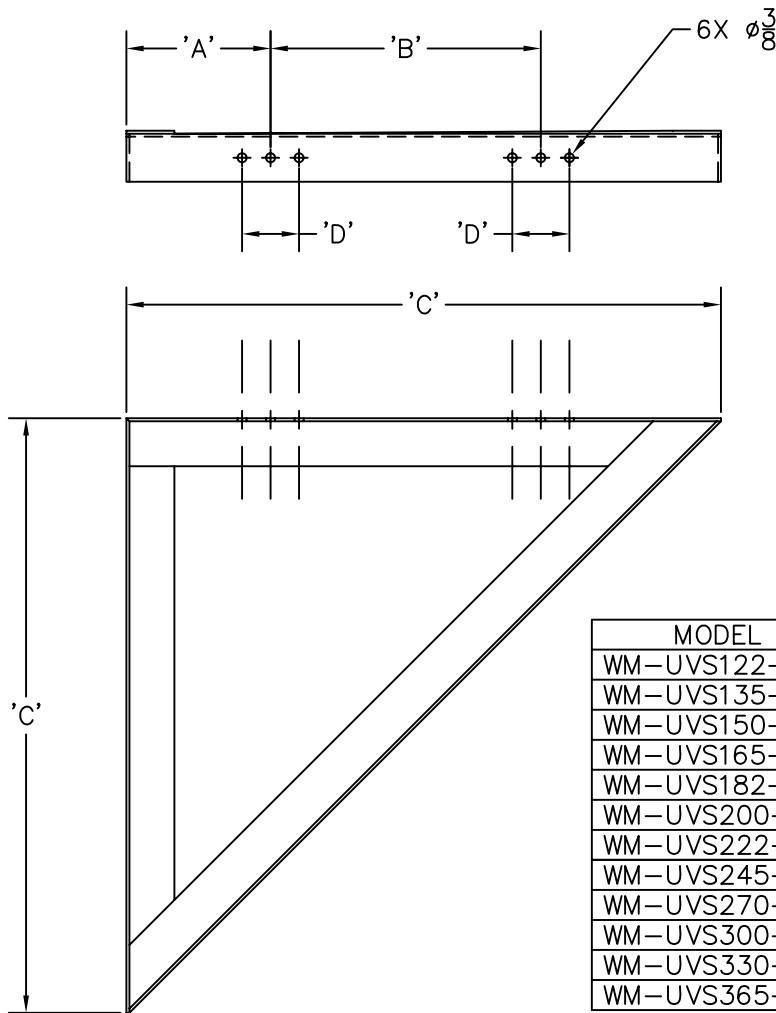
ENGINEER:

SALES ENGINEER:

ARCHITECT:

CONTRACTOR:

DATE:



MODEL	'A'	'B'	'C'	'D'
WM-UVS122-IIA	9-1/2"	14-5/8"	28-1/8"	2-3/8"
WM-UVS135-IIA	10"	16-1/8"	30-1/8"	2-3/8"
WM-UVS150-IIA	11"	17-5/8"	32-5/8"	2-3/8"
WM-UVS165-IIA	12"	18-1/2"	34-1/2"	2-3/8"
WM-UVS182-IIA	13"	21-3/4"	38-3/4"	3"
WM-UVS200-IIA	15"	21-3/4"	40-3/4"	3"
WM-UVS222-IIA	17"	22-1/4"	43-1/4"	3"
WM-UVS245-IIA	18-1/2"	23-1/4"	45-3/4"	3"
WM-UVS270-IIA	21"	24-1/4"	49-1/4"	3"
WM-UVS300-IIA	24"	24-3/4"	52-3/4"	3"
WM-UVS330-IIA	25-1/2"	28-1/4"	57-3/4"	3"
WM-UVS365-IIA	29"	28-1/4"	61-1/4"	3"

SCHEDULE

ITEM	QTY	MODEL	REFERENCE

NOTES:

1. FRAME - 2" x 2" x 1/8" PAINTED STEEL ANGLE.
2. THREE BRACKETS ARE SUPPLIED FOR EACH FAN

PROJECT:

LOCATION:

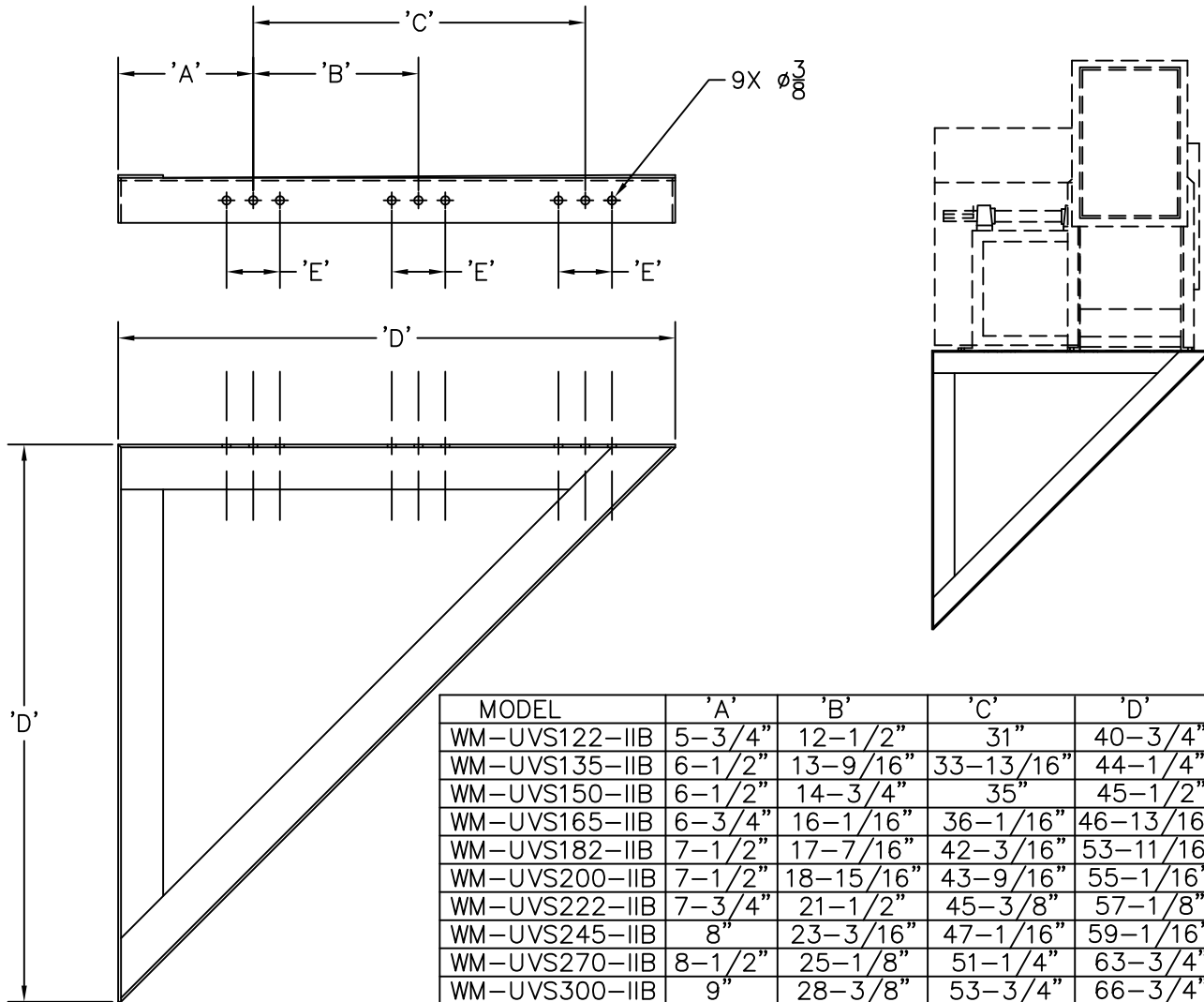
ENGINEER:

SALES ENGINEER:

ARCHITECT:

CONTRACTOR:

DATE:



MODEL	'A'	'B'	'C'	'D'	'E'
WM-UVS122-IIB	5-3/4"	12-1/2"	31"	40-3/4"	2-3/8"
WM-UVS135-IIB	6-1/2"	13-9/16"	33-13/16"	44-1/4"	2-3/8"
WM-UVS150-IIB	6-1/2"	14-3/4"	35"	45-1/2"	2-3/8"
WM-UVS165-IIB	6-3/4"	16-1/16"	36-1/16"	46-13/16"	2-3/8"
WM-UVS182-IIB	7-1/2"	17-7/16"	42-3/16"	53-11/16"	3"
WM-UVS200-IIB	7-1/2"	18-15/16"	43-9/16"	55-1/16"	3"
WM-UVS222-IIB	7-3/4"	21-1/2"	45-3/8"	57-1/8"	3"
WM-UVS245-IIB	8"	23-3/16"	47-1/16"	59-1/16"	3"
WM-UVS270-IIB	8-1/2"	25-1/8"	51-1/4"	63-3/4"	3"
WM-UVS300-IIB	9"	28-3/8"	53-3/4"	66-3/4"	3"
WM-UVS330-IIB	9-3/4"	30-5/8"	59-1/2"	73-1/4"	3"
WM-UVS365-IIB	9-3/4"	33-7/16"	62-5/16"	76-1/16"	3"

SCHEDULE

ITEM	QTY	MODEL	REFERENCE

NOTES:

1. FRAME - 2" x 2" x 1/8" PAINTED STEEL ANGLE.
2. TWO BRACKETS SUPPLIED FOR EACH FAN