

PROJECT:

LOCATION:

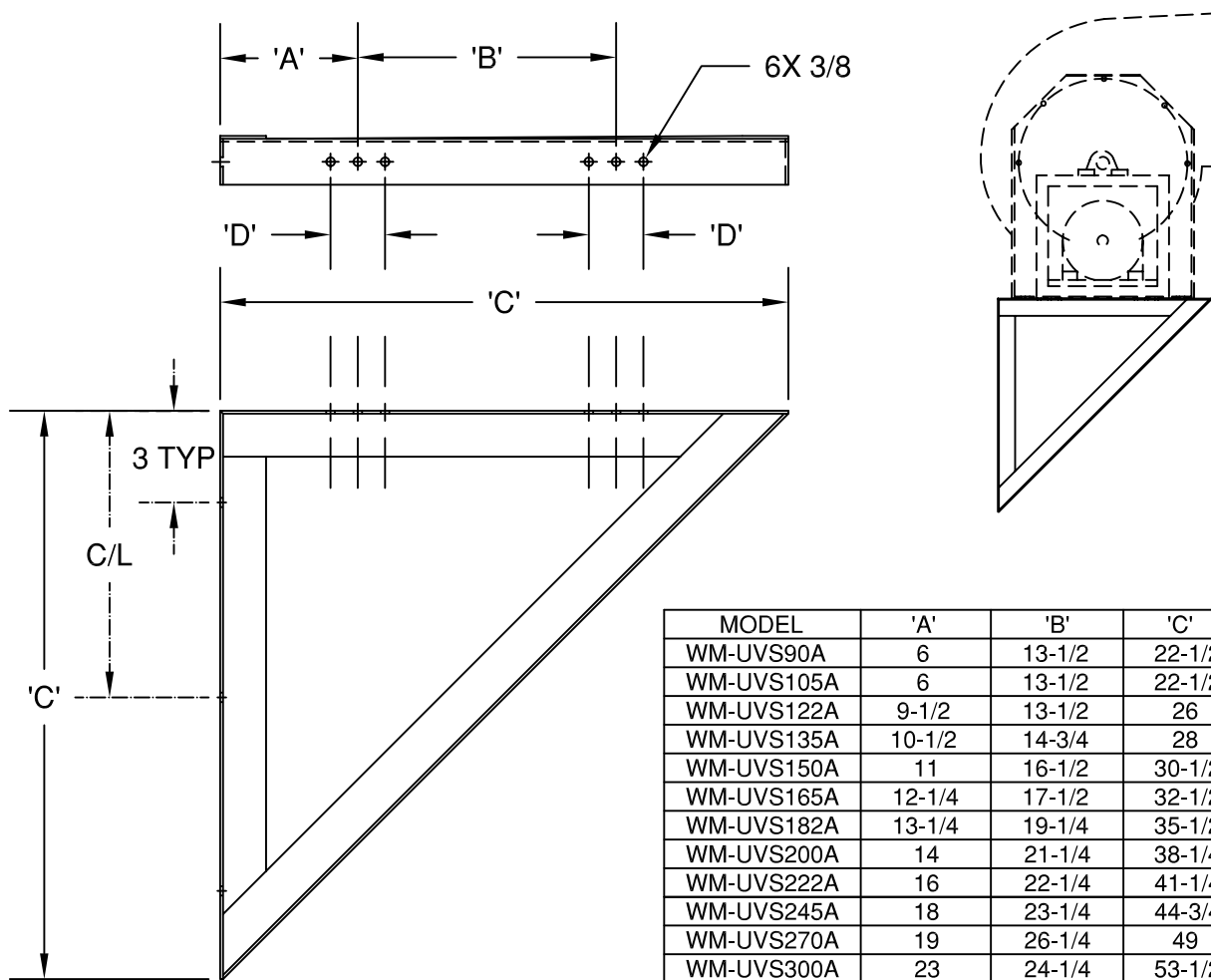
ENGINEER:

SALES ENGINEER:

ARCHITECT:

CONTRACTOR:

DATE:



MODEL	'A'	'B'	'C'	'D'
WM-UVS90A	6	13-1/2	22-1/2	2-3/8
WM-UVS105A	6	13-1/2	22-1/2	2-3/8
WM-UVS122A	9-1/2	13-1/2	26	2-3/8
WM-UVS135A	10-1/2	14-3/4	28	2-3/8
WM-UVS150A	11	16-1/2	30-1/2	2-3/8
WM-UVS165A	12-1/4	17-1/2	32-1/2	2-3/8
WM-UVS182A	13-1/4	19-1/4	35-1/2	3
WM-UVS200A	14	21-1/4	38-1/4	3
WM-UVS222A	16	22-1/4	41-1/4	3
WM-UVS245A	18	23-1/4	44-3/4	3
WM-UVS270A	19	26-1/4	49	3
WM-UVS300A	23	24-1/4	53-1/2	3
WM-UVS330A	26-1/2	24-1/4	58-1/4	3
WM-UVS365A	29	28-1/4	65-1/4	3

### SCHEDULE

ITEM	QTY	MODEL	REFERENCE

NOTES:  
 ALL DIMENSIONS ARE IN INCHES.  
 FRAME - 2 x 2 x 1/8 PAINTED STEEL ANGLE.  
 THREE BRACKETS ARE SUPPLIED FOR UVS122-245.  
 TWO BRACKETS ARE SUPPLIED FOR UVS90-105.

PROJECT:

LOCATION:

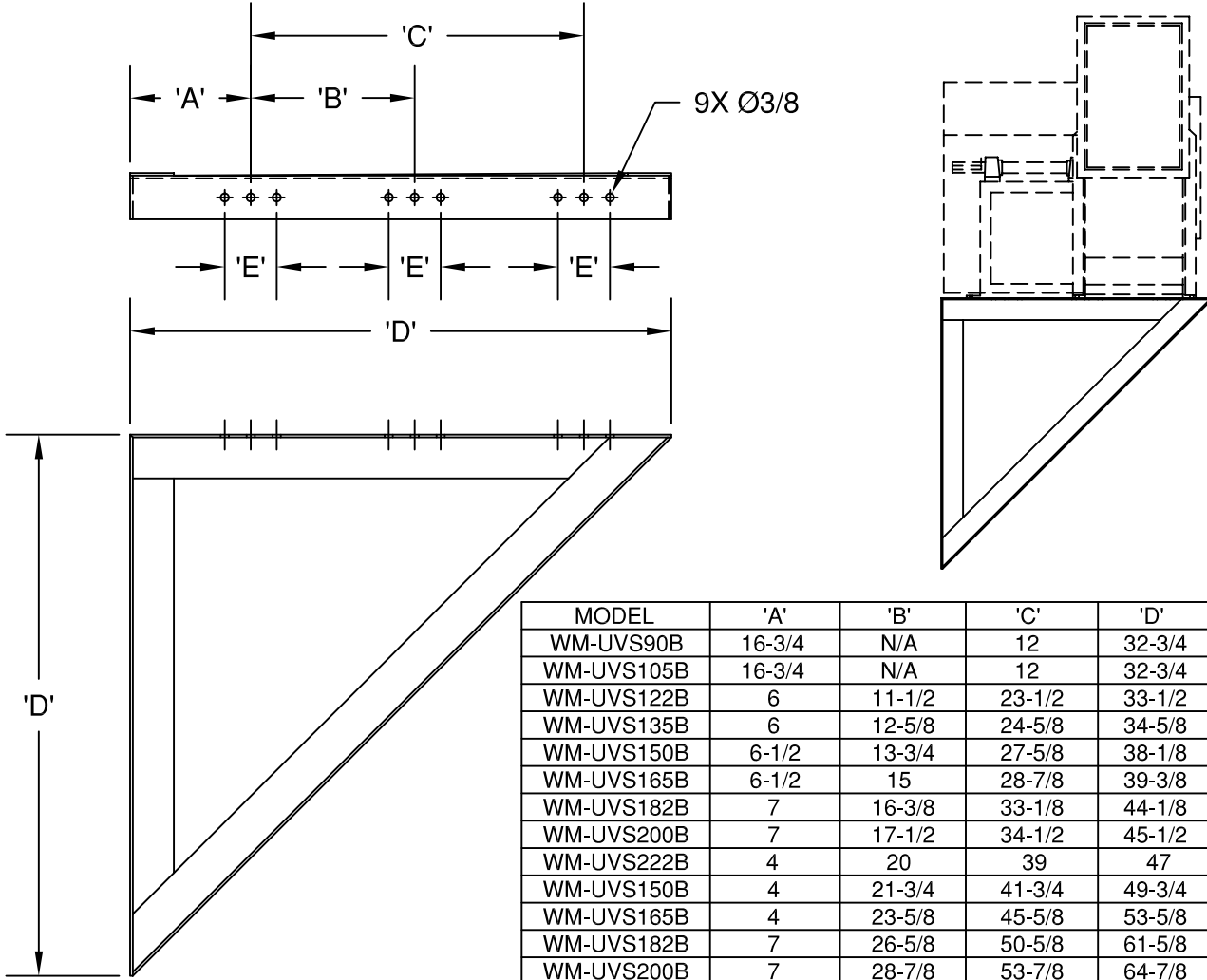
ENGINEER:

SALES ENGINEER:

ARCHITECT:

CONTRACTOR:

DATE:



MODEL	'A'	'B'	'C'	'D'	'E'
WM-UVS90B	16-3/4	N/A	12	32-3/4	2-3/8
WM-UVS105B	16-3/4	N/A	12	32-3/4	2-3/8
WM-UVS122B	6	11-1/2	23-1/2	33-1/2	2-3/8
WM-UVS135B	6	12-5/8	24-5/8	34-5/8	2-3/8
WM-UVS150B	6-1/2	13-3/4	27-5/8	38-1/8	2-3/8
WM-UVS165B	6-1/2	15	28-7/8	39-3/8	2-3/8
WM-UVS182B	7	16-3/8	33-1/8	44-1/8	3
WM-UVS200B	7	17-1/2	34-1/2	45-1/2	3
WM-UVS222B	4	20	39	47	3
WM-UVS150B	4	21-3/4	41-3/4	49-3/4	3
WM-UVS165B	4	23-5/8	45-5/8	53-5/8	3
WM-UVS182B	7	26-5/8	50-5/8	61-5/8	3
WM-UVS200B	7	28-7/8	53-7/8	64-7/8	3
WM-UVS222B	8	33-7/16	62-5/16	74-5/16	3

### SCHEDULE

ITEM	QTY	MODEL	REFERENCE

**NOTES:**

ALL DIMENSIONS ARE IN INCHES.  
 FRAME - 2 x 2 x 1/8 PAINTED STEEL ANGLE.  
 TWO BRACKETS SUPPLIED FOR EACH FAN.