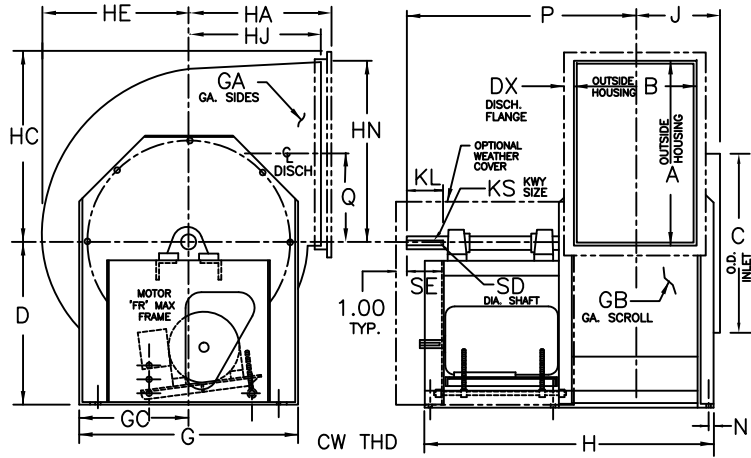
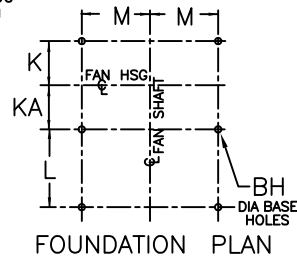


PROJECT:	ENGINEER:	SALES ENGINEER:	DRAWN BY:
LOCATION:	CONTRACTOR:	DRAWN DATE:	REVISED DATE:
ARCHITECT:			

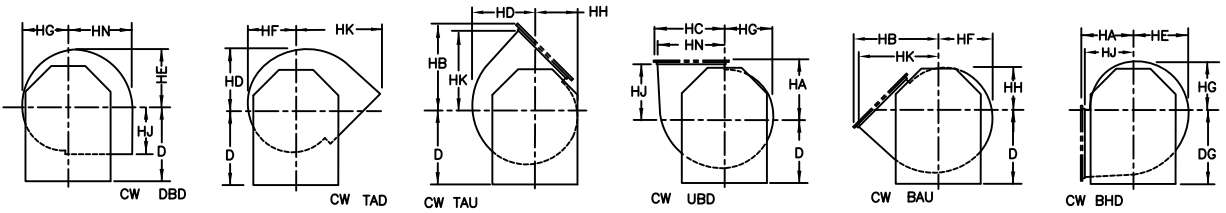


- NOTES:
1. FLANGED OUTLET IS OPTIONAL ON SIZES 122-200
FLANGED OUTLET IS STANDARD ON SIZES 222 THRU 365 (EXCEPT ON TAD & DBD).
 2. 'CW' ROTATION IS SHOWN. 'CCW' ROTATION IS SIMILAR BUT OPPOSITE.
 3. ALL UNITS ARE ROTATABLE TO ALL POSITIONS (EXCEPT SIZES 300-365 WITH "D" CENTER LINE HEIGHT ARE NOT ROTATABLE TO BHD).



FAN SIZE	A	B	BH	C	D	DG	DX	FR	G	GA	GB	GC	H	HA	HB	HC	HD	HE	FAN SIZE
122	13.00	9.75	0.44	13.25	17.63	17.63	1.00	184T	16.00	14	14	8.00	32.00	9.75	16.75	13.94	11.19	10.56	122
135	14.31	10.81	0.44	14.56	19.13	19.13	1.00	215T	17.50	14	14	8.75	34.81	10.75	18.38	15.25	12.31	11.63	135
150	15.88	11.94	0.44	16.19	19.38	19.38	1.00	215T	19.00	14	14	9.50	36.00	11.94	20.31	16.81	13.75	12.88	150
165	17.44	13.19	0.44	17.75	19.38	19.38	1.00	215T	20.50	14	14	10.25	37.31	13.13	22.25	18.38	15.06	14.13	165
182	19.38	14.56	0.44	19.50	21.88	21.88	1.25	256T	25.00	12	14	12.50	43.44	14.50	24.81	20.56	16.69	15.69	182
200	21.19	15.94	0.56	21.38	22.75	22.75	1.25	256T	25.00	12	14	12.50	44.81	15.81	27.00	22.38	18.38	17.31	200
222	23.56	17.69	0.56	23.75	25.50	25.50	1.25	256T	27.25	12	14	13.63	47.13	17.69	30.00	24.75	20.44	19.06	222
245	25.94	19.44	0.56	26.06	28.00	28.00	1.25	256T	29.75	12	14	14.88	48.81	19.50	33.00	27.13	22.38	21.00	245
270	28.63	21.38	0.56	28.50	30.50	30.50	1.50	286T	33.00	12	14	16.50	53.00	21.44	36.44	30.06	24.69	23.19	270
300	31.81	23.81	0.56	31.63	34.25	34.25	1.50	286T	36.13	10	12	18.06	56.00	23.81	40.31	33.25	27.44	25.75	300
330	35.13	26.06	0.56	34.75	37.25	37.25	1.50	326T	38.88	10	12	19.44	61.75	26.25	44.44	36.56	30.13	28.38	330
365	38.75	28.88	0.56	38.50	41.00	41.00	1.50	326T	43.75	10	12	21.88	64.56	29.00	48.88	40.13	33.50	31.50	365

FAN SIZE	HF	HG	HH	HJ	HK	HN	J	K	KA	KL	KS	L	M	N	P	Q	SD	SE	FAN SIZE
122	9.94	9.31	8.69	9.25	15.69	12.94	7.44	5.75	6.75	2.00	.25x.13	18.50	7.31	0.50	26.50	6.44	1.187	2.75	122
135	10.94	10.25	9.56	10.25	17.31	14.25	8.00	6.31	7.25	2.63	.25x.13	20.25	8.06	0.50	29.56	7.13	1.187	3.38	135
150	12.13	11.38	10.63	11.44	19.25	15.81	9.06	6.88	7.88	2.63	.25x.13	20.25	8.81	0.50	30.13	7.88	1.187	3.38	150
165	13.31	12.50	11.69	12.63	21.19	17.38	9.69	7.50	8.56	2.63	.25x.13	20.00	9.25	0.63	30.75	8.69	1.187	3.38	165
182	14.75	13.81	12.88	14.00	23.56	19.31	10.88	8.19	9.25	3.25	.38x.19	24.75	10.88	0.63	36.81	9.63	1.437	4.00	182
200	16.25	15.19	14.13	15.31	25.75	21.13	11.56	8.88	10.06	3.25	.38x.19	24.63	10.88	0.63	37.50	10.56	1.437	4.00	200
222	17.94	16.81	15.69	17.19	28.75	23.50	12.44	10.00	11.50	3.25	.38x.19	23.88	11.13	0.88	38.38	11.75	1.437	4.00	222
245	19.75	18.50	17.25	19.00	31.75	25.88	13.31	10.88	12.31	3.25	.38x.19	23.88	11.63	0.88	39.25	12.94	1.687	4.00	245
270	21.81	20.44	19.06	20.94	35.00	28.56	14.25	11.81	13.31	3.63	.38x.19	26.13	12.13	0.88	43.13	14.25	1.687	4.63	270
300	24.25	22.75	21.25	23.31	38.94	31.75	15.50	13.31	15.06	3.63	.50x.25	25.38	12.38	1.13	44.44	15.81	1.937	4.63	300
330	26.69	25.00	23.31	25.75	43.00	35.06	16.63	14.44	16.19	4.50	.50x.25	28.88	14.13	1.13	49.69	17.50	2.187	5.25	330
365	29.63	27.75	25.88	28.50	47.44	39.63	18.00	15.81	17.63	4.50	.63x.31	28.88	14.13	1.13	51.06	19.25	2.437	5.25	365



SCHEDULE

ITEM	QTY	MODEL	HP	CFM	S.P.	ELECTRICAL	DISCHARGE/ ROTATION	REFERENCE

NOTES:
ALL DIMENSIONS ARE IN INCHES.
STANDARD FINISH: POLYESTER POWDER COATED

