

PROJECT:

LOCATION:

ENGINEER:

SALES ENGINEER:

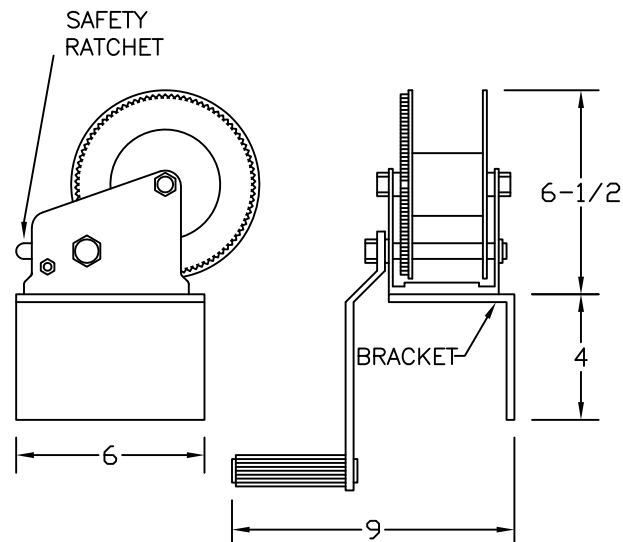
ARCHITECT:

CONTRACTOR:

DATE:

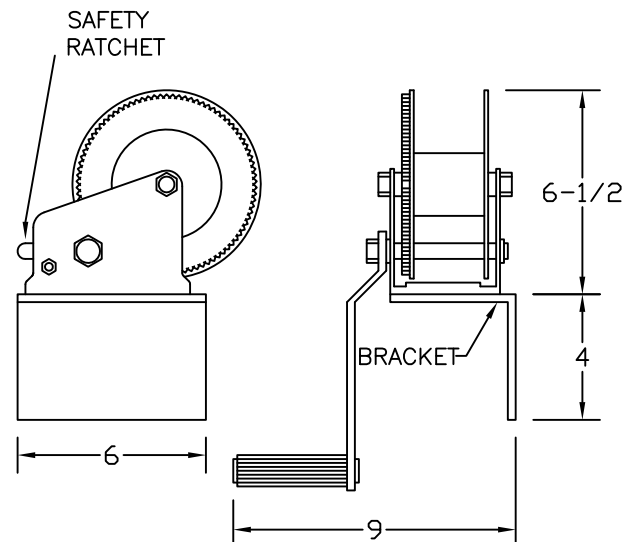
MODEL - 5414

SINGLE CABLE WINCH, W/ ONE WAY RATCHET,
FURNISHED WITH WALL MOUNTING BRACKET



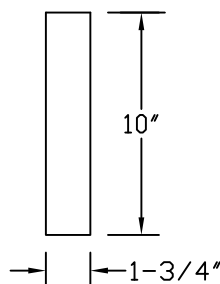
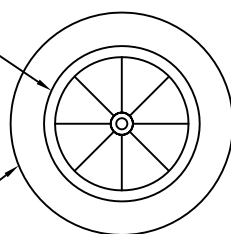
MODEL - 5415

SINGLE CABLE WINCH, W/ TWO WAY RATCHET,
FURNISHED WITH WALL MOUNTING BRACKET



POLYCARBONATE HUB

SOLID RUBBER TIRE



MODEL - WHL
HAND WHEEL (OPTIONAL)

SCHEDULE

ITEM	QTY	MODEL	REFERENCE

NOTES:

ALL DIMENSIONS ARE IN INCHES.

WINCH CAPACITIES - 600 LBS.

SAFETY RATCHETS ARE SPRING ACTIVATED.

WINCH BRACKETS: 1/4" POWDER COATED STEEL.